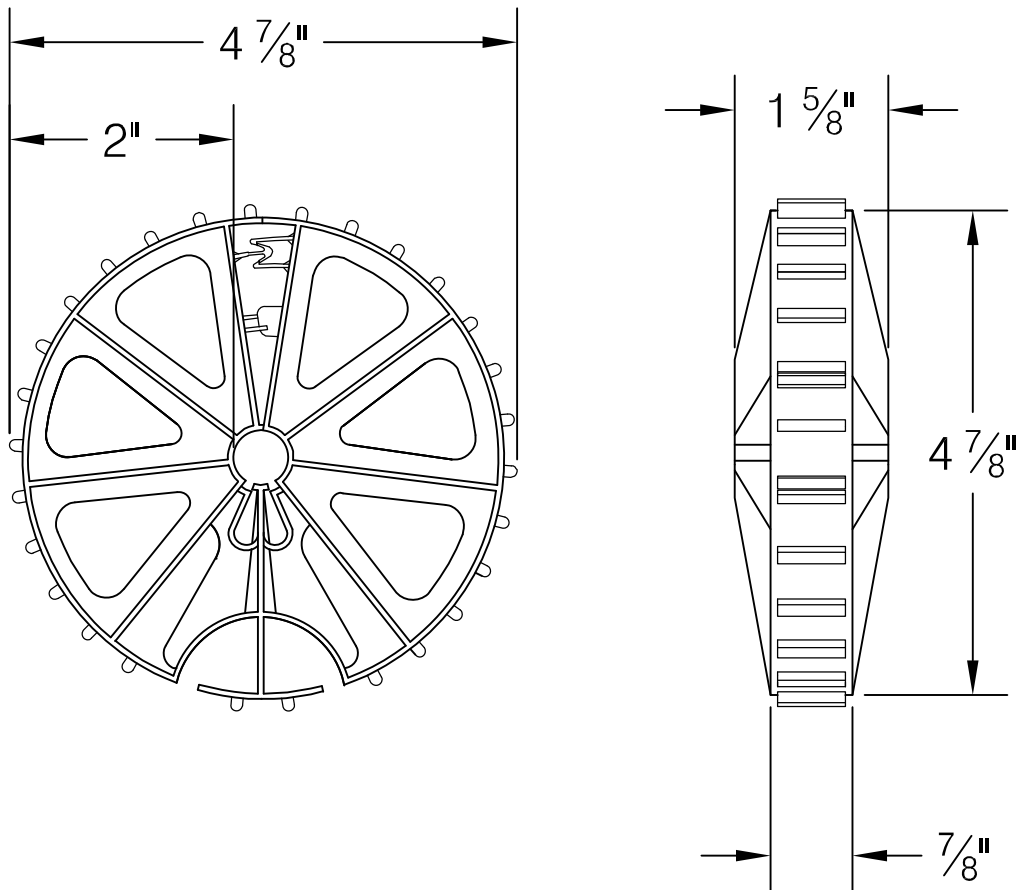
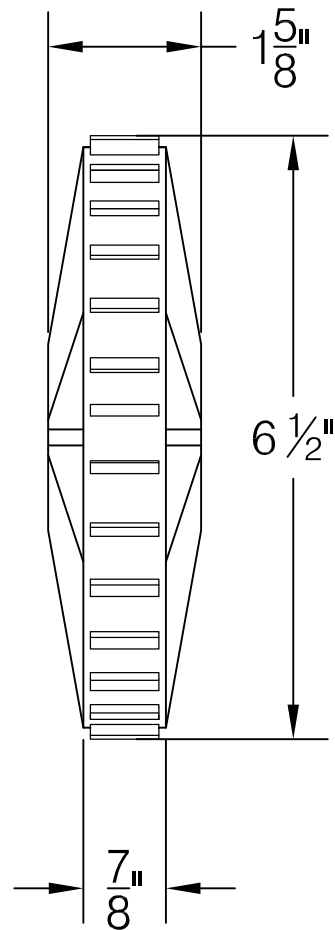
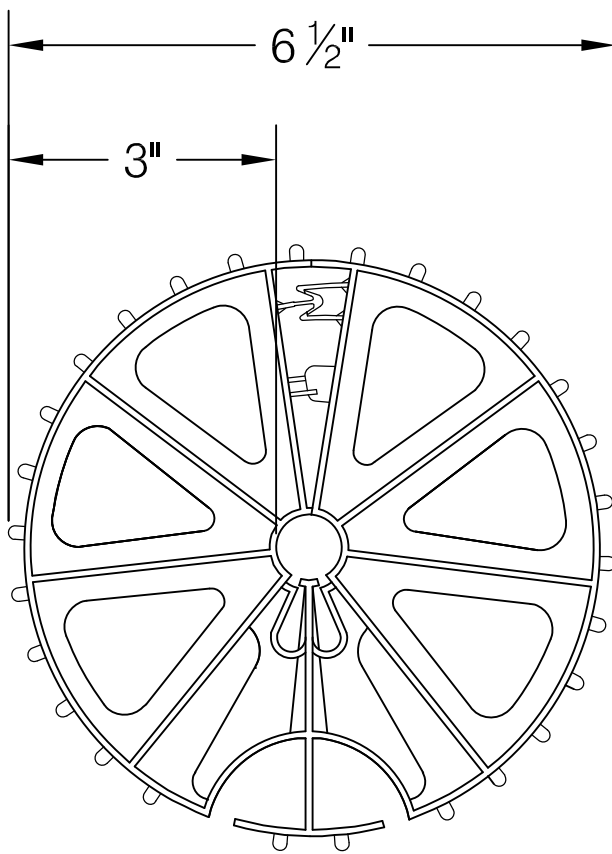


Part No.4QLPW  
Quick-Lock Pier Wheel  
provides 2 inches of concrete cover and fits rebar sizes #3 thru #7



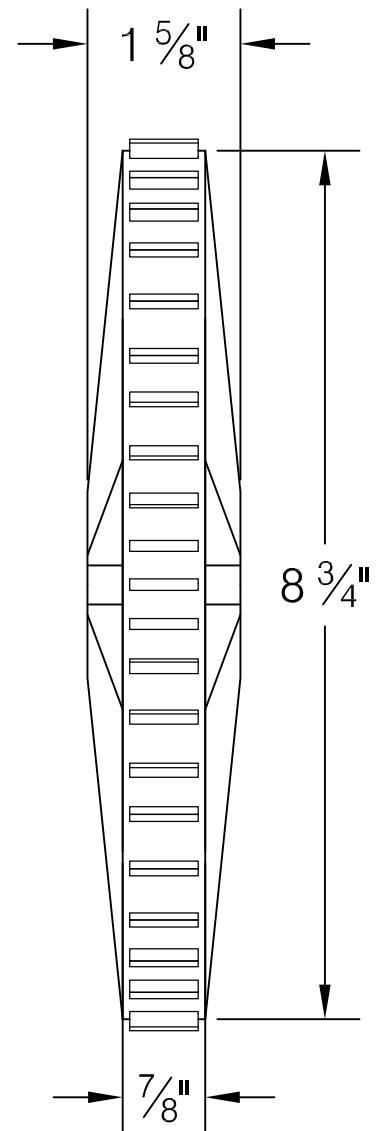
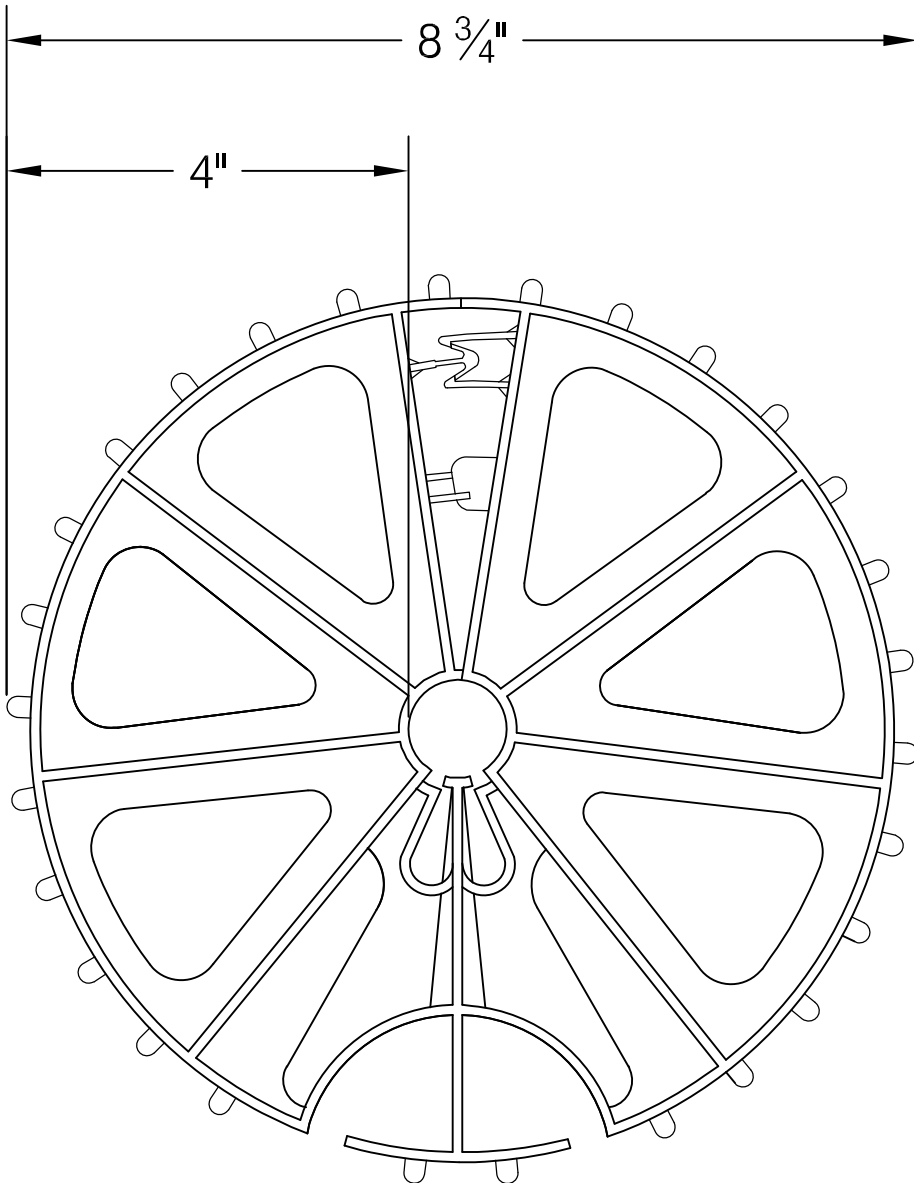
Part No. 6QLPW  
Quick-Lock Pier Wheel

provides 3 inches of concrete cover and fits rebar sizes #3 thru #5



Part No. 8QLPW  
Quick-Lock Pier Wheel

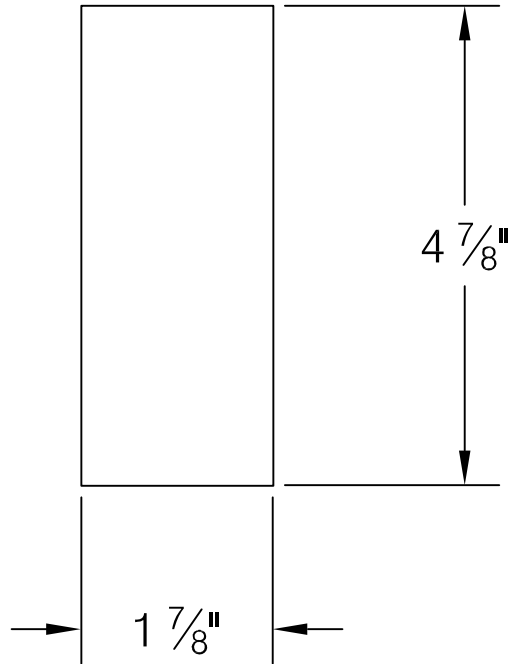
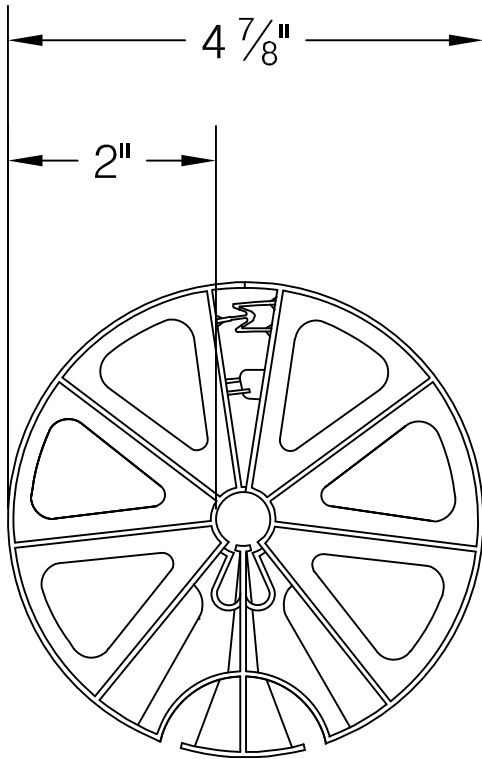
provides 4 inches of concrete cover and fits rebar sizes #3 thru #7



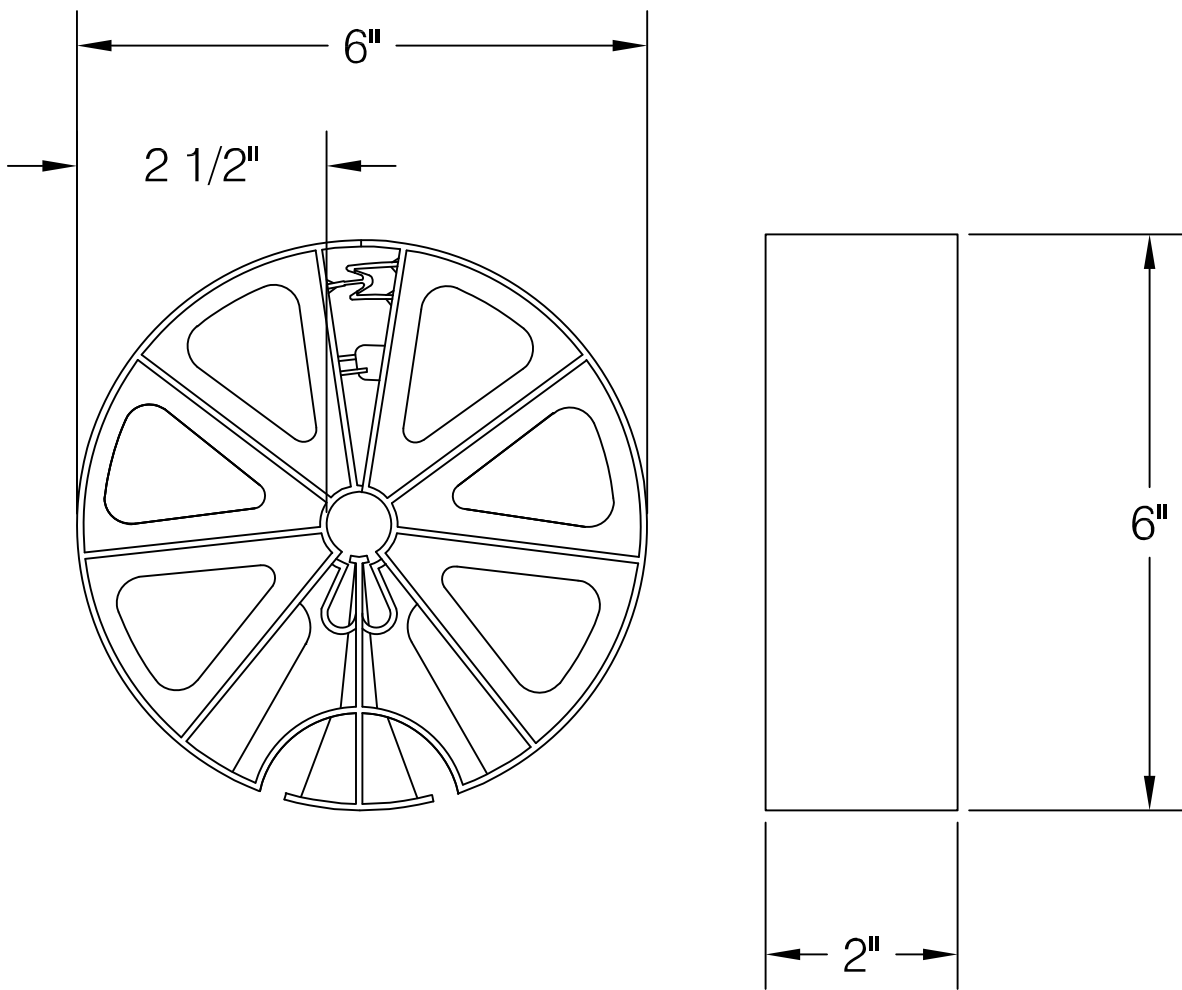
Part No. 4QLHD

### Quick-Lock Heavy Duty Pier Wheel

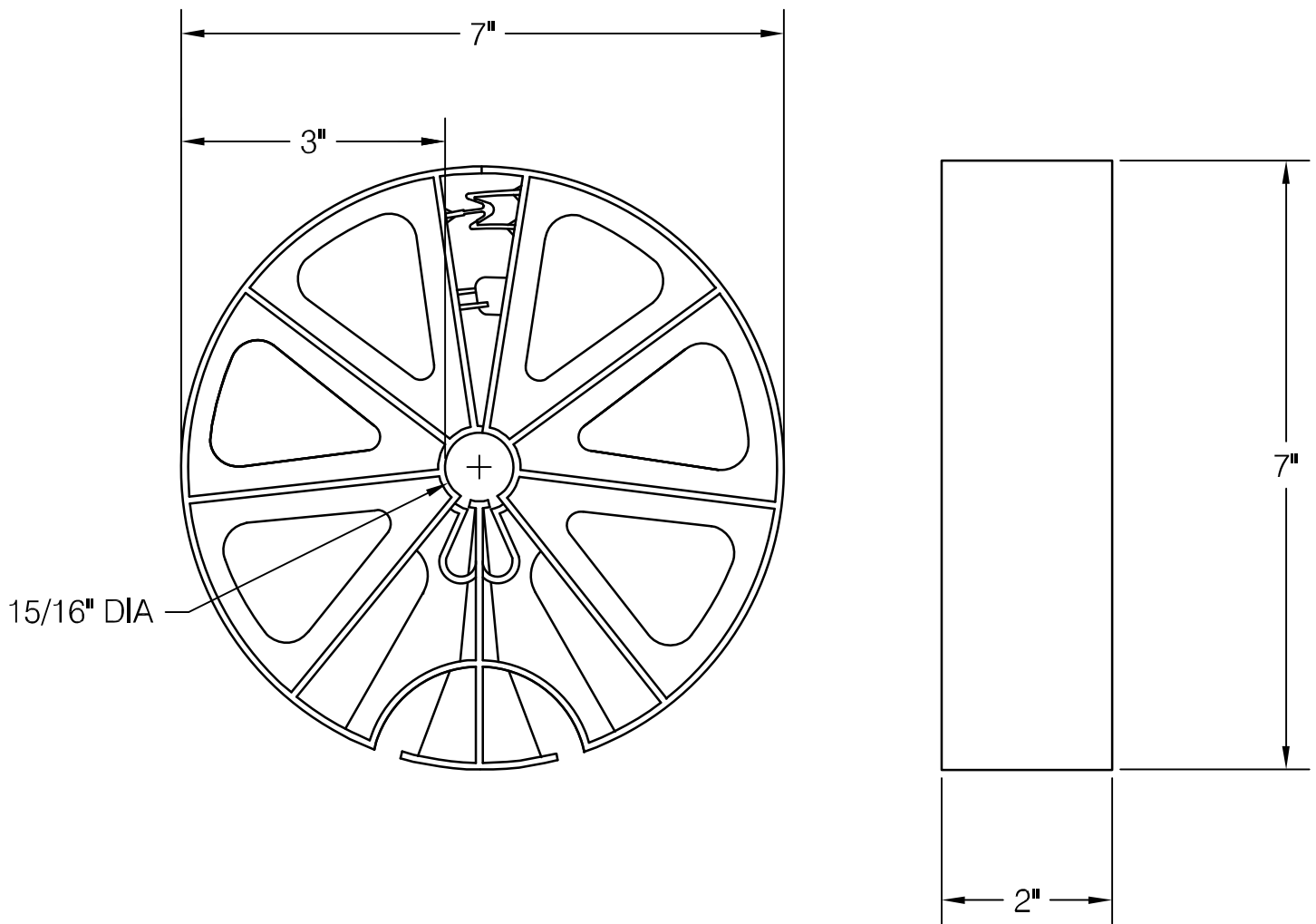
provides 2 inches of concrete cover and fits rebar size #3 thru #7



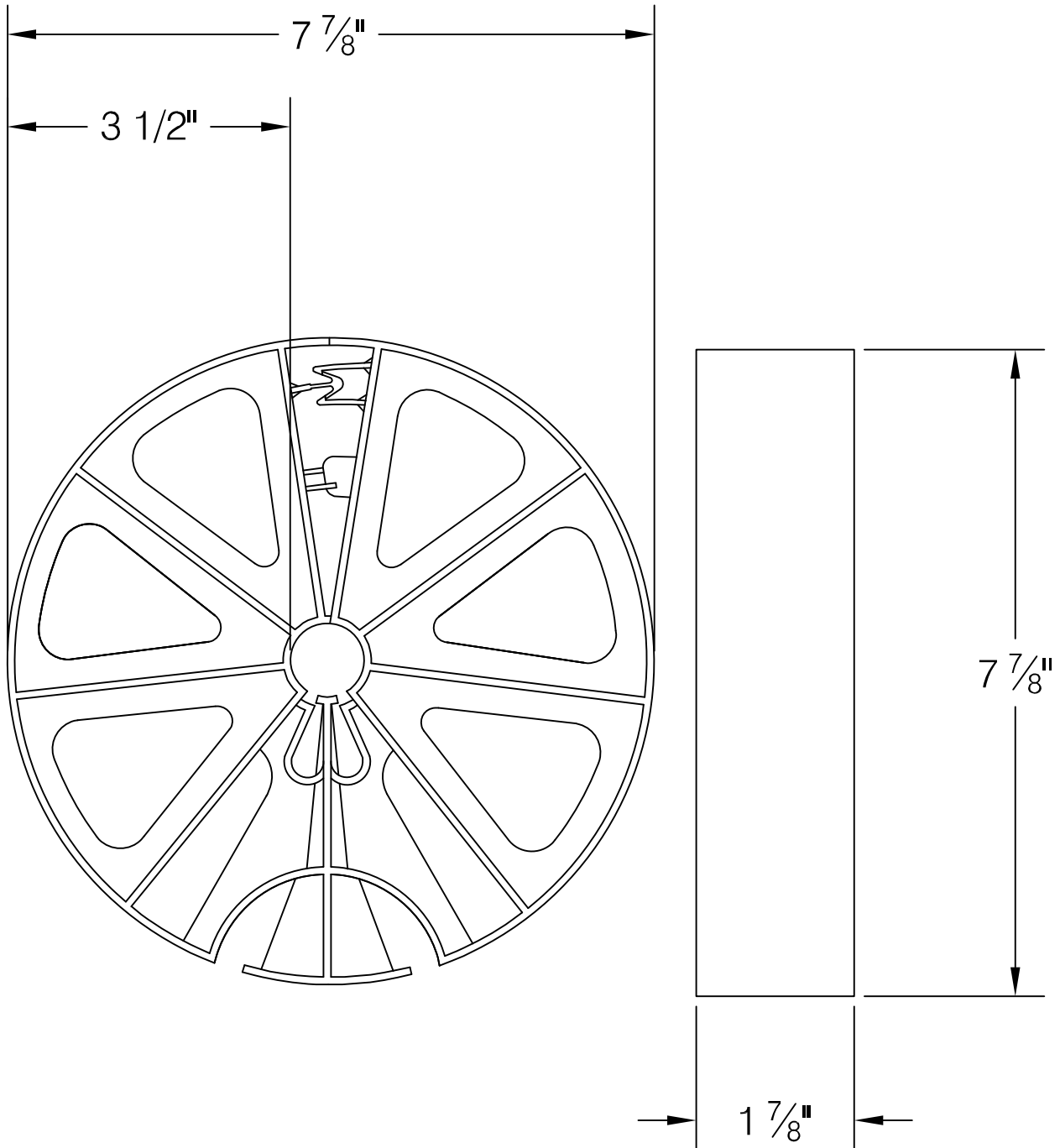
Part No. 6QLHD  
**Quick-Lock Heavy Duty Pier Wheel**  
provides 3 inches of concrete cover and fits rebar sizes #3 thru #7



Part No. 7QLHD  
7" Quick-Lock Heavy Duty Pier Wheel  
provides 3" inches of concrete cover and fits rebar sizes #3 thru #7



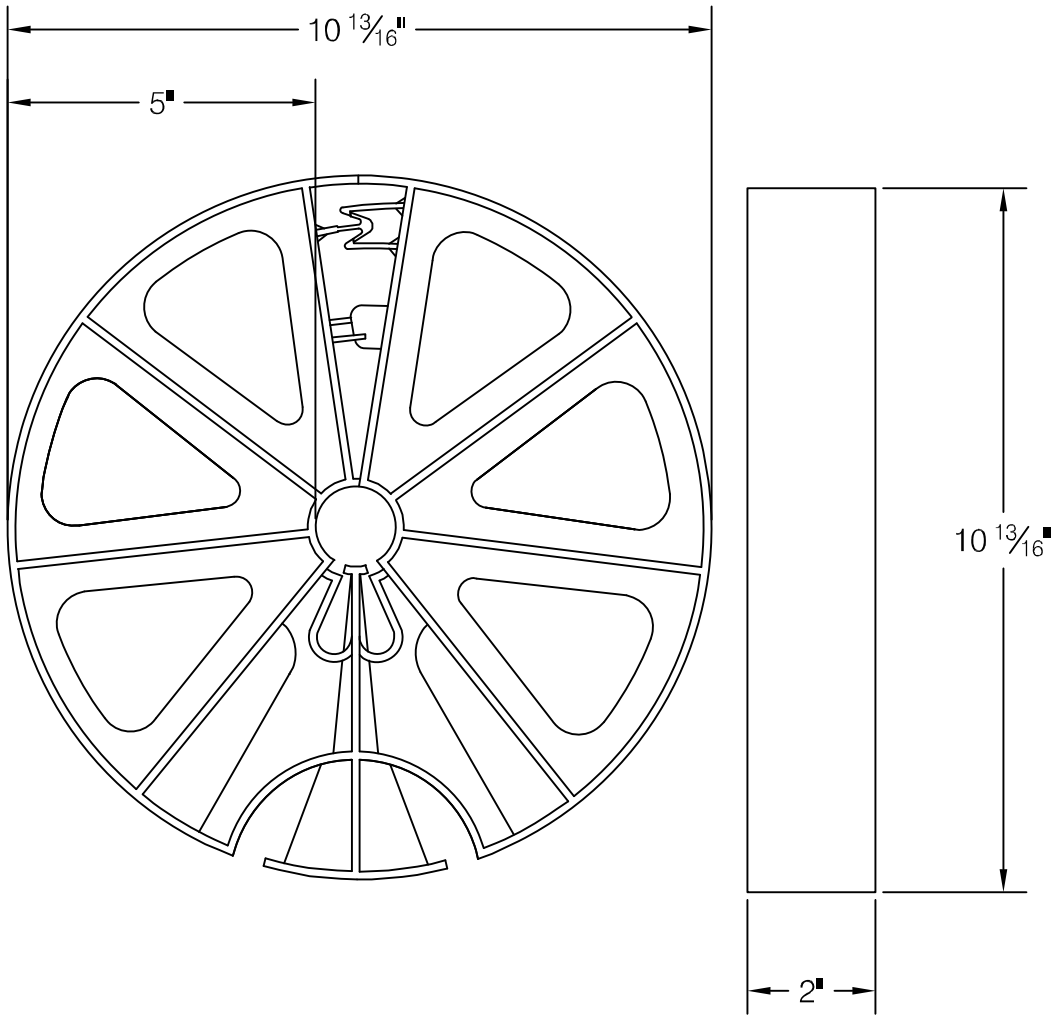
Part No. 8QLHD  
**Quick-Lock Heavy Duty Pier Wheel**  
provides 4 inches of concrete cover and fits rebar sizes #3 thru #7



Part No. 12QLHD

### Quick-Lock Heavy Duty Pier Wheel

provides 6 inches of concrete cover and fits rebar sizes #3 thru #7

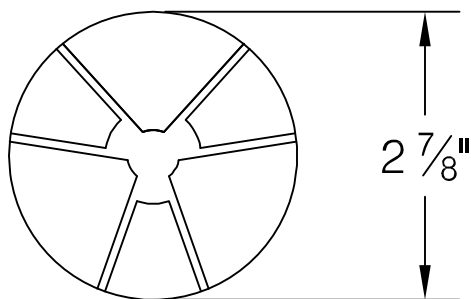
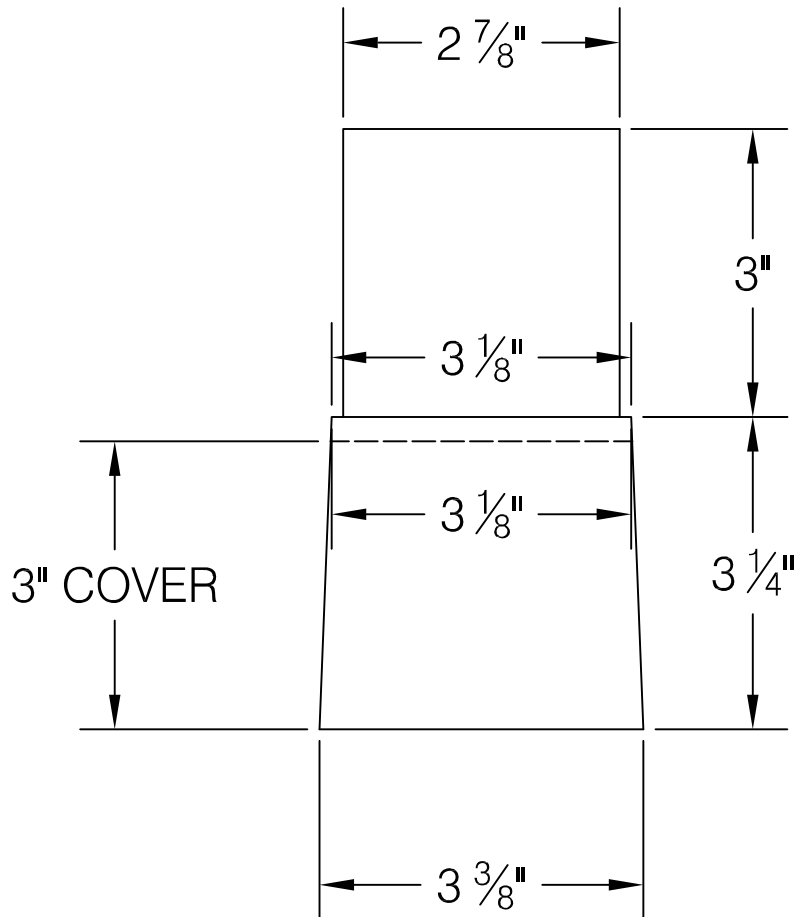




Part No. 3PB

Pier Boot

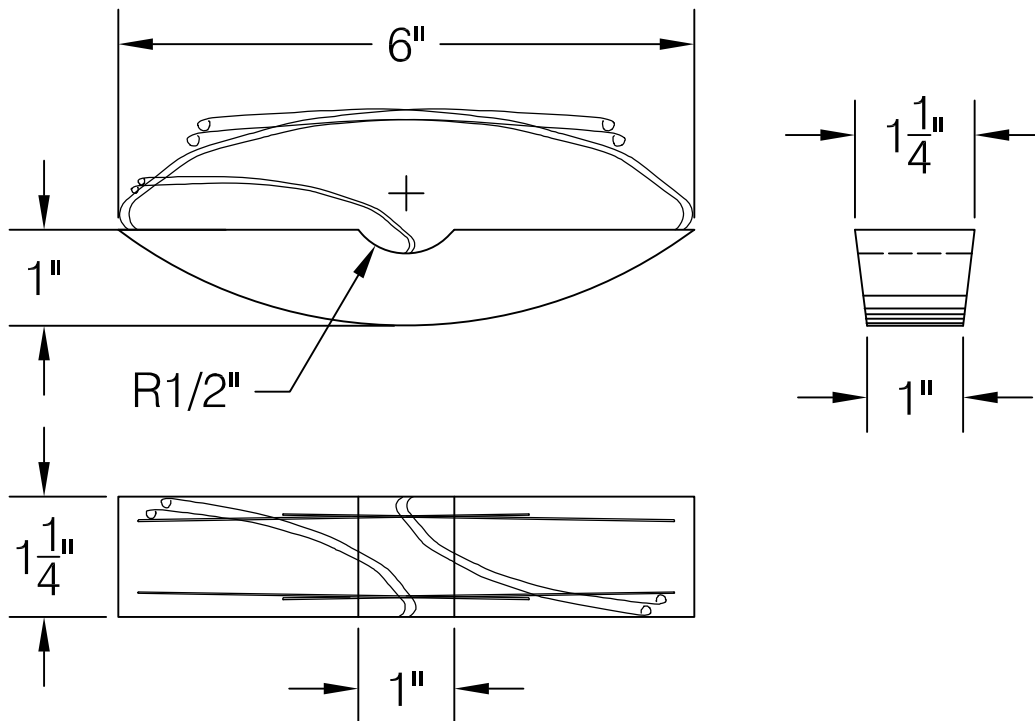
provides 3 inches of concrete cover and fits rebar sizes #6 thru #14



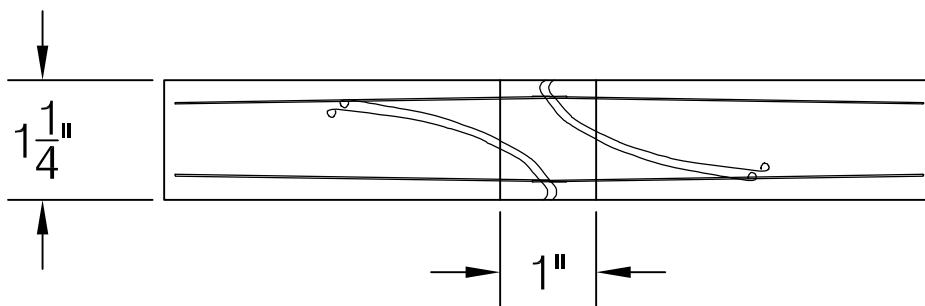
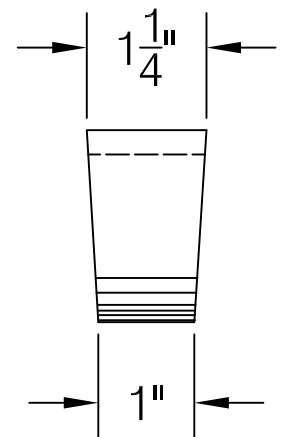
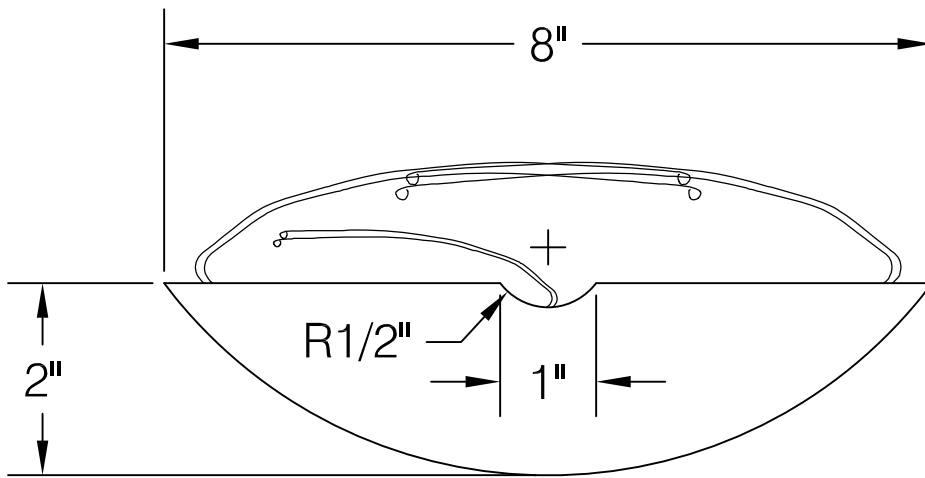


Part No. 1CPS  
Centralligner Pier Sled

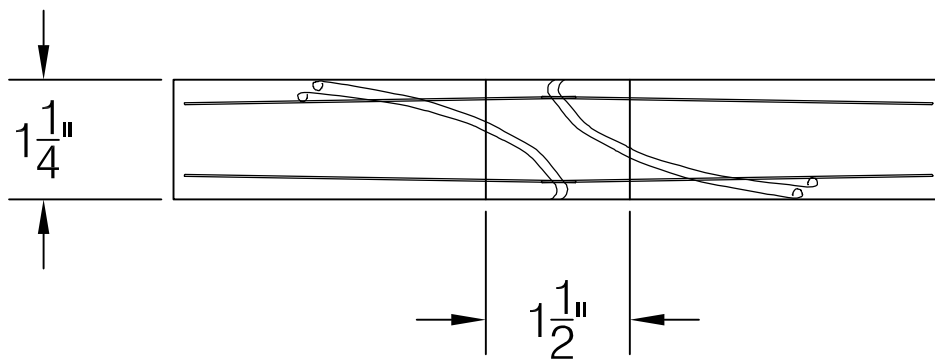
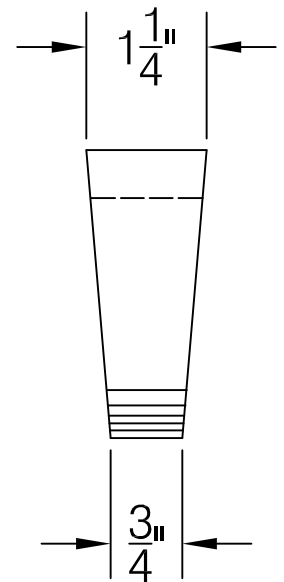
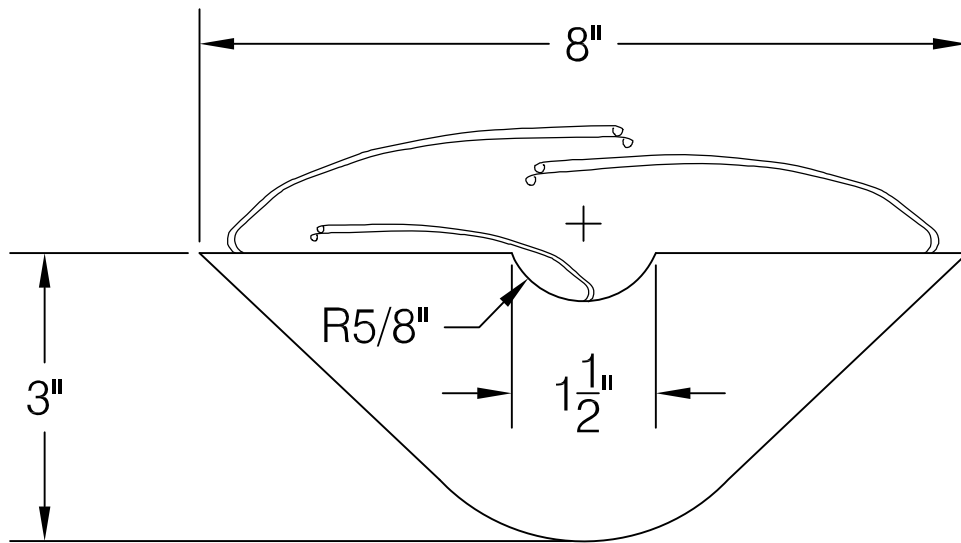
provides 1 inch of concrete cover and fits rebar sizes #3 thru #18



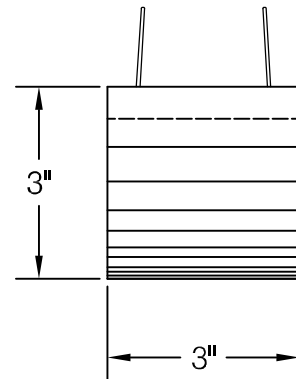
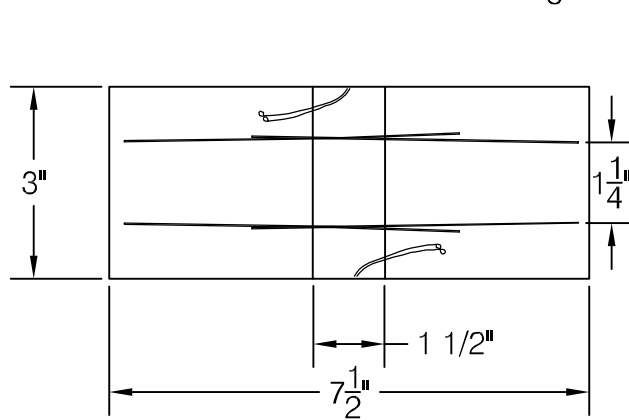
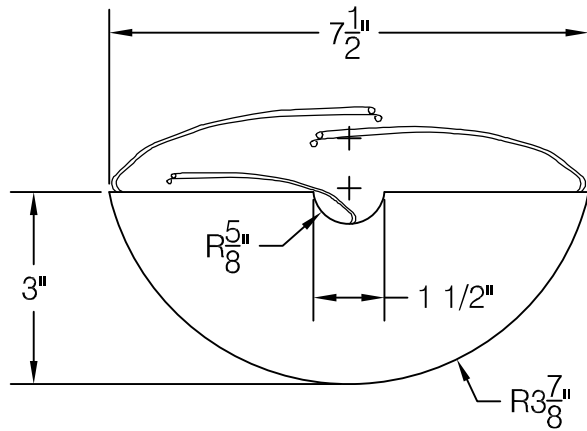
Part No. 2CPS  
Centraligner Pier Sled  
provides 2 inches of concrete cover and fits rebar sizes #3 thru #18



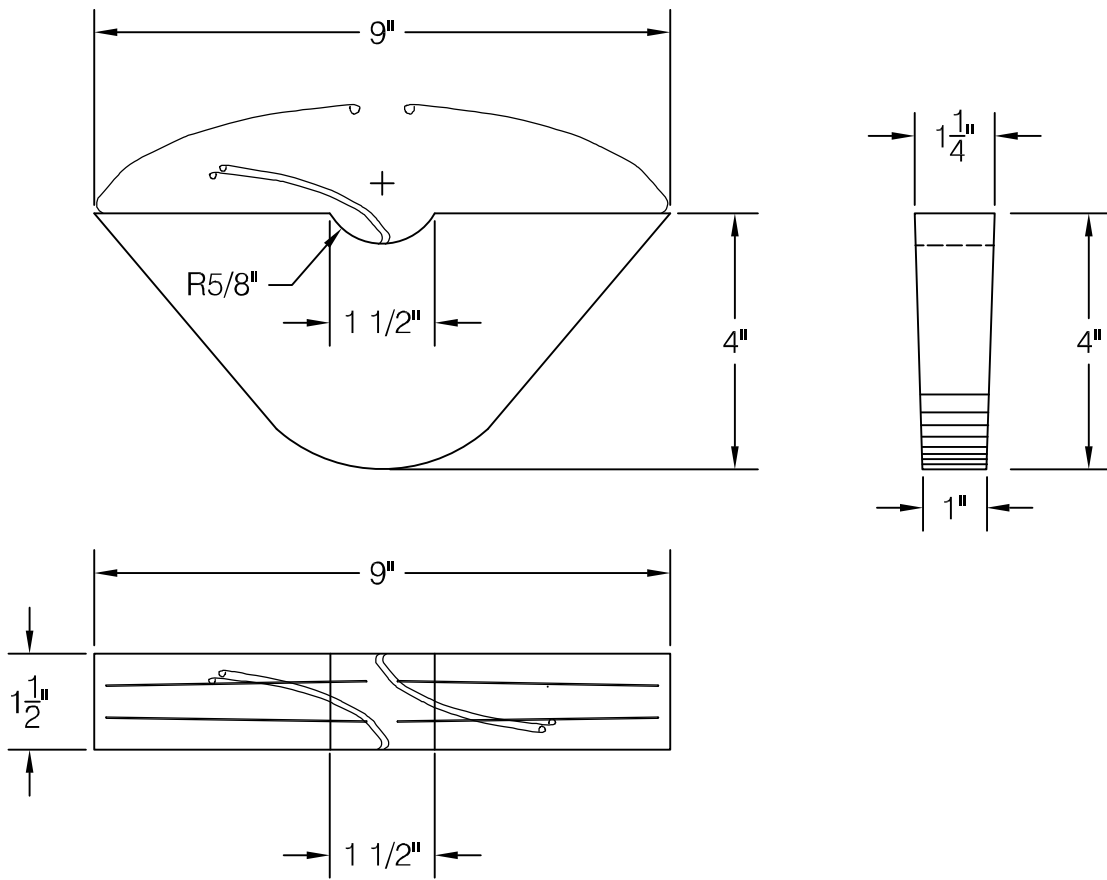
Part No. 3CPS  
Centraligner Pier Sled  
provides 3 inches of concrete cover and fits rebar sizes #3 thru #18



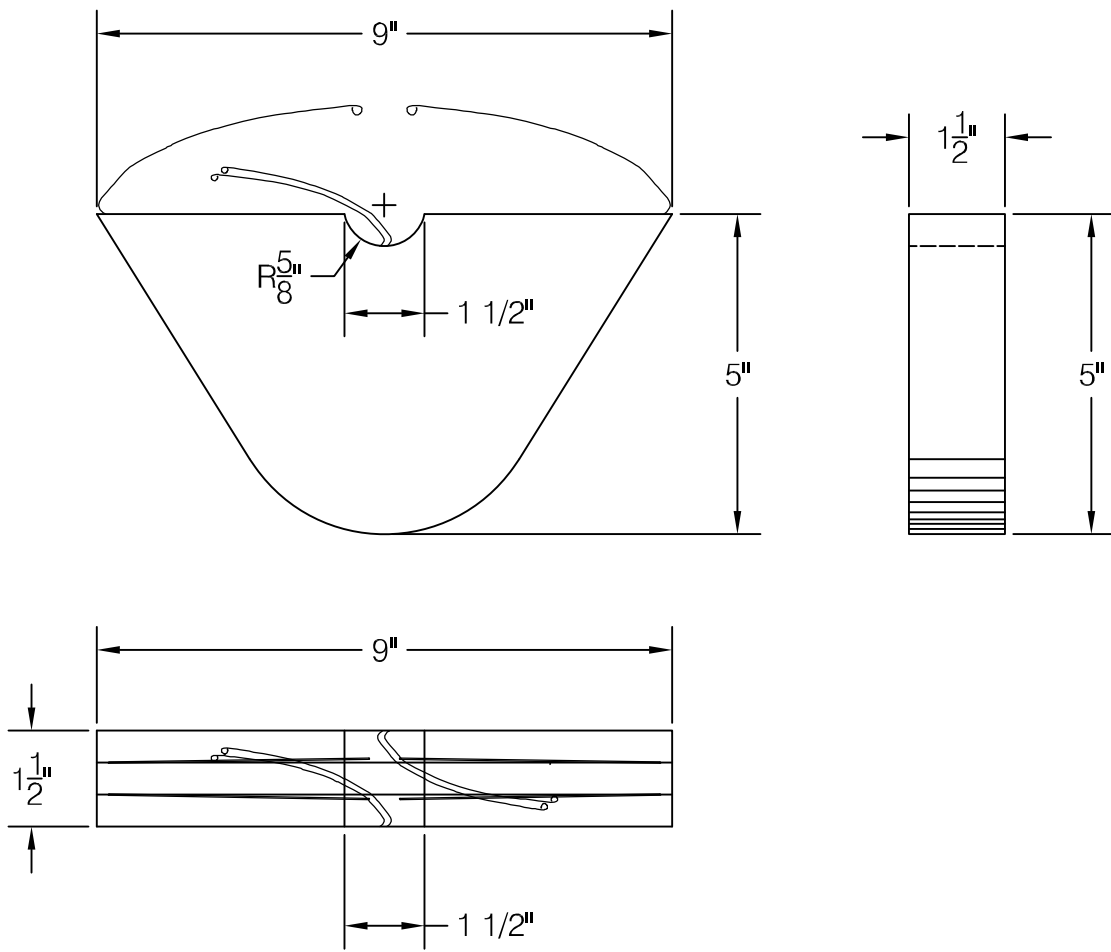
Part No. 3CPSHD  
Heavy Duty Centraligner Pier Sled  
provides 3 inches of concrete cover and fits rebar sizes #3 thru #18



Part No. 4CPS  
Centraligner Pier Sled  
provides 4 inches of concrete cover and fits rebar sizes #3 thru #18



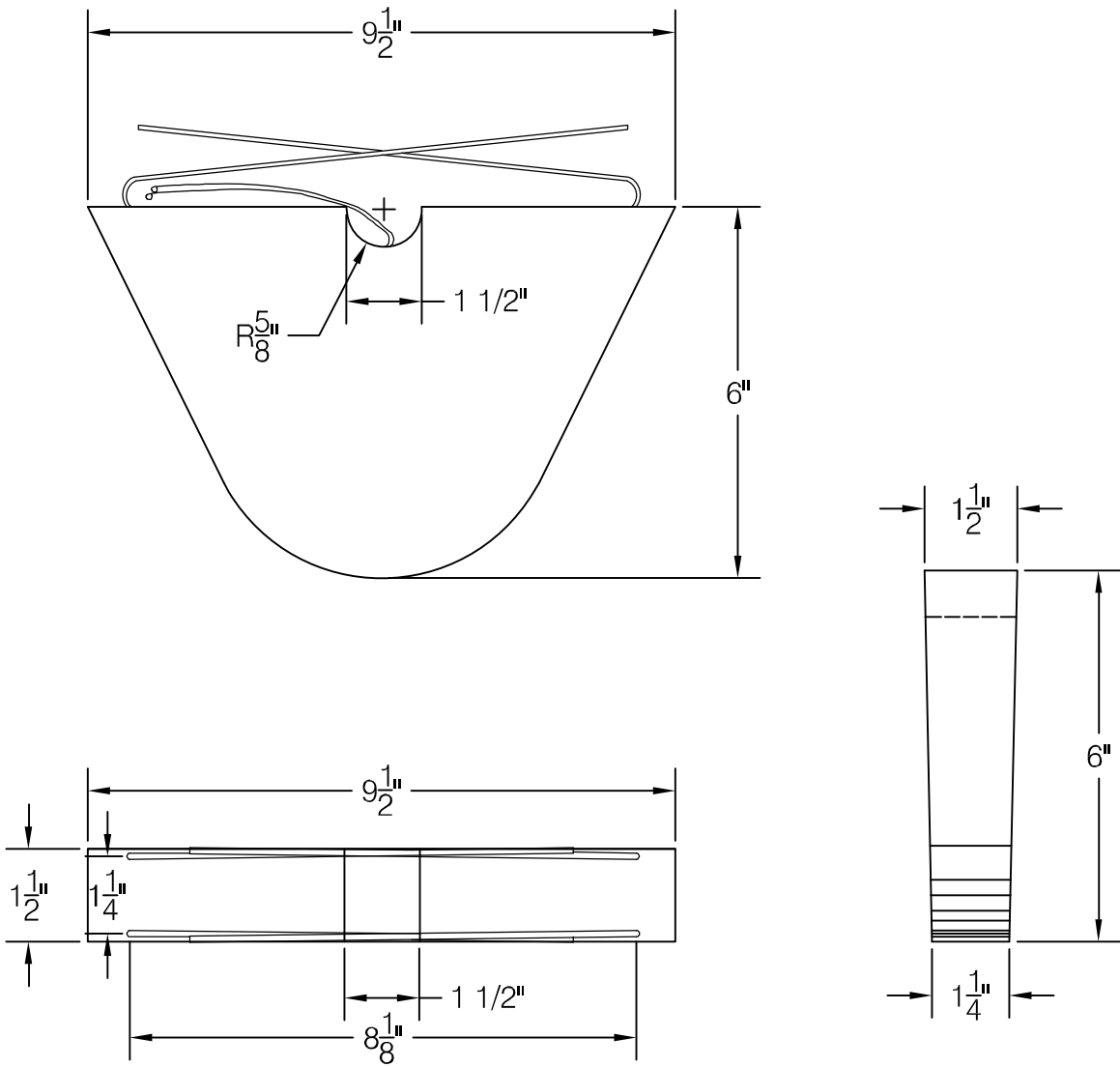
Part No. 5CPS  
Centraligner Pier Sled  
provides 5 inches of concrete cover and fits rebar sizes #3 thru #18





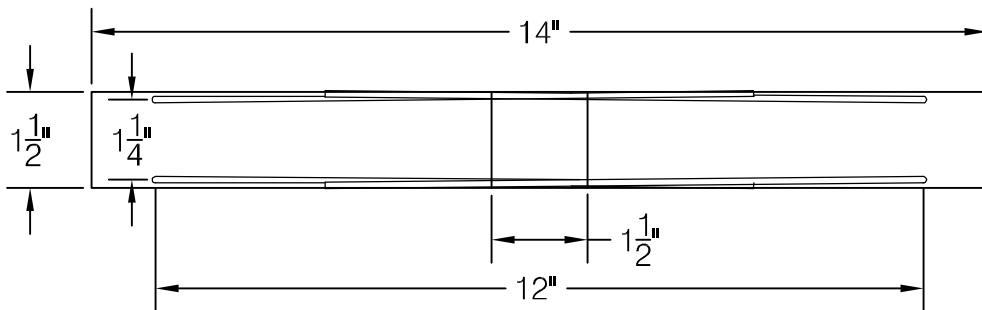
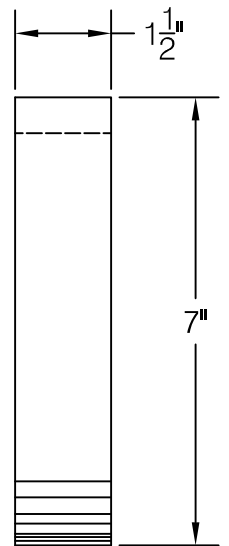
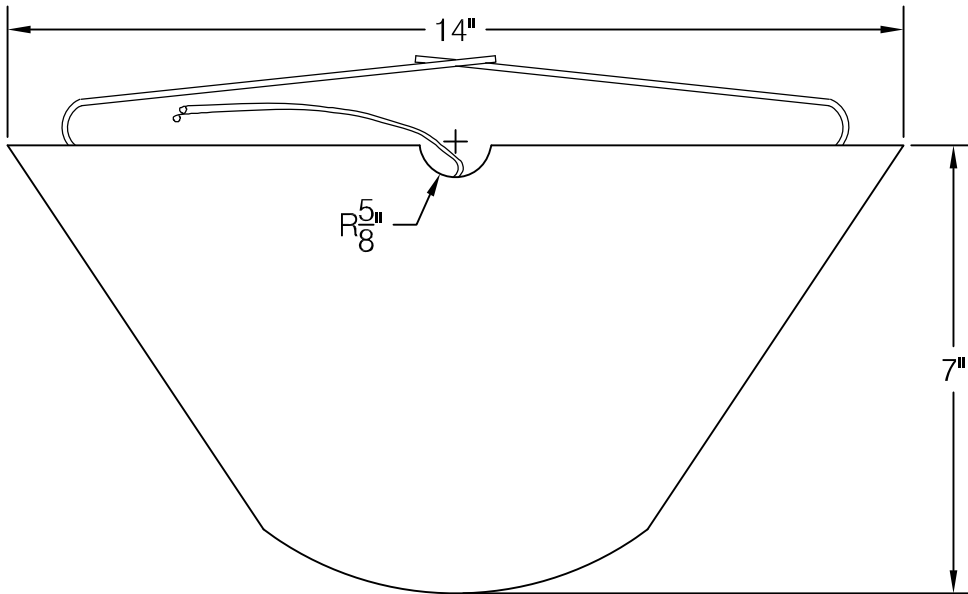
Part No.6CPS  
Centraligner Pier Sled

provides 6 inches of concrete cover and fits rebar sizes #3 thru #18

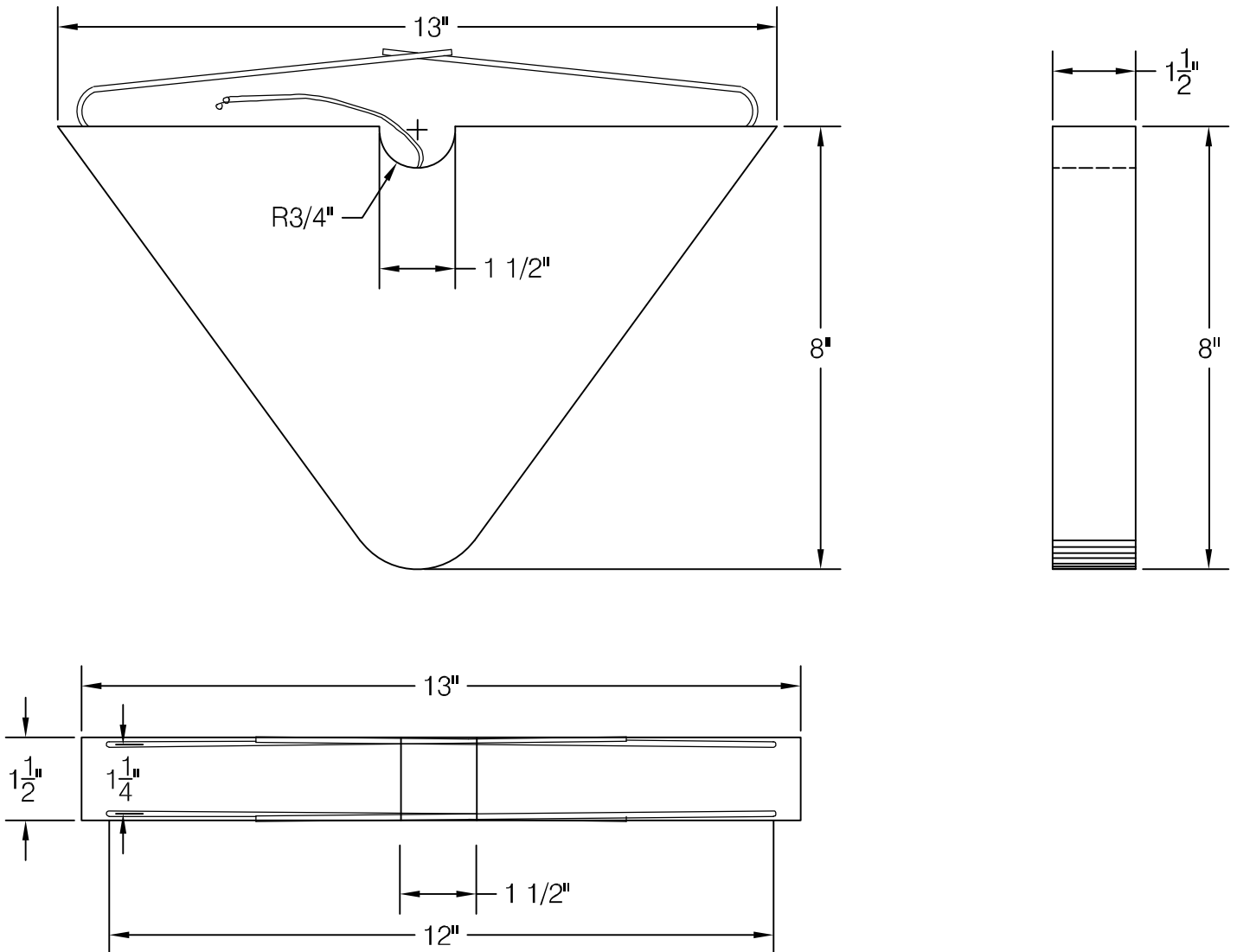


Part No. 7CPS  
Centraligner Pier Sled

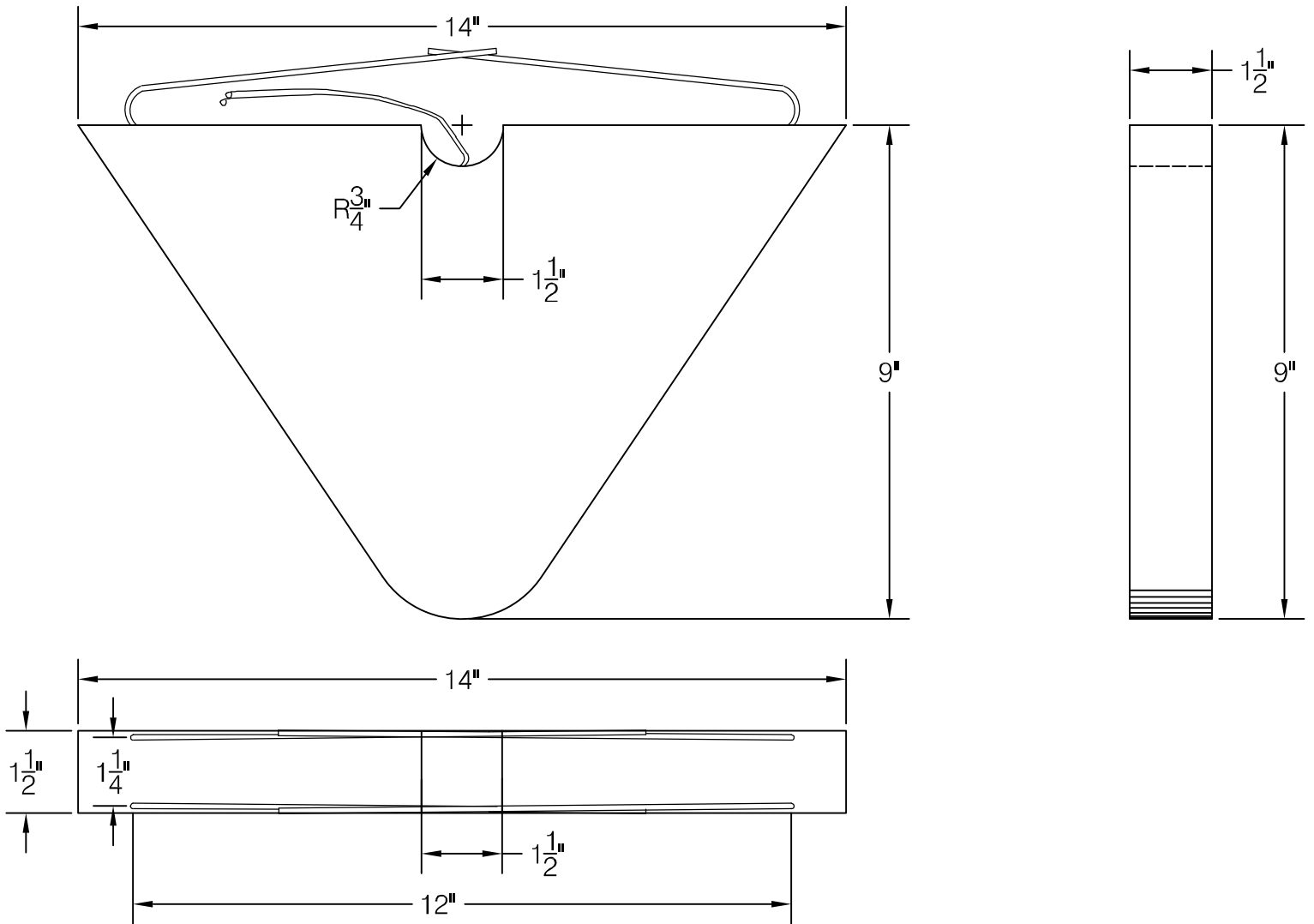
provides 7 inches of concrete cover and fits rebar sizes #3 thru #18



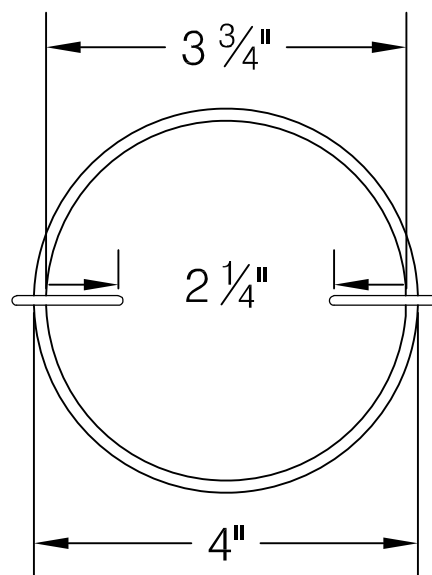
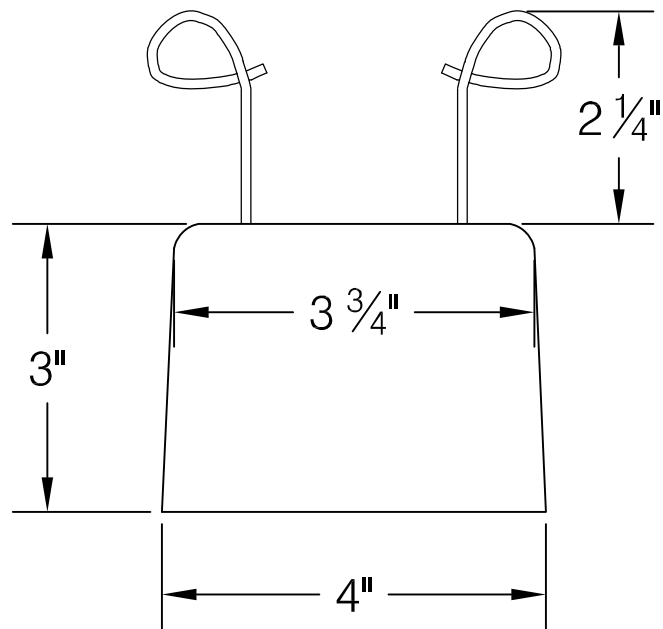
Part No. 8CPS  
**Centraligner Pier Sled**  
provides 8 inches of concrete cover and fits rebar sizes #3 thru #18



Part No. 9CPS  
**Centraligner Pier Sled**  
provides 9 inches of concrete cover and fits rebar sizes #3 thru #18

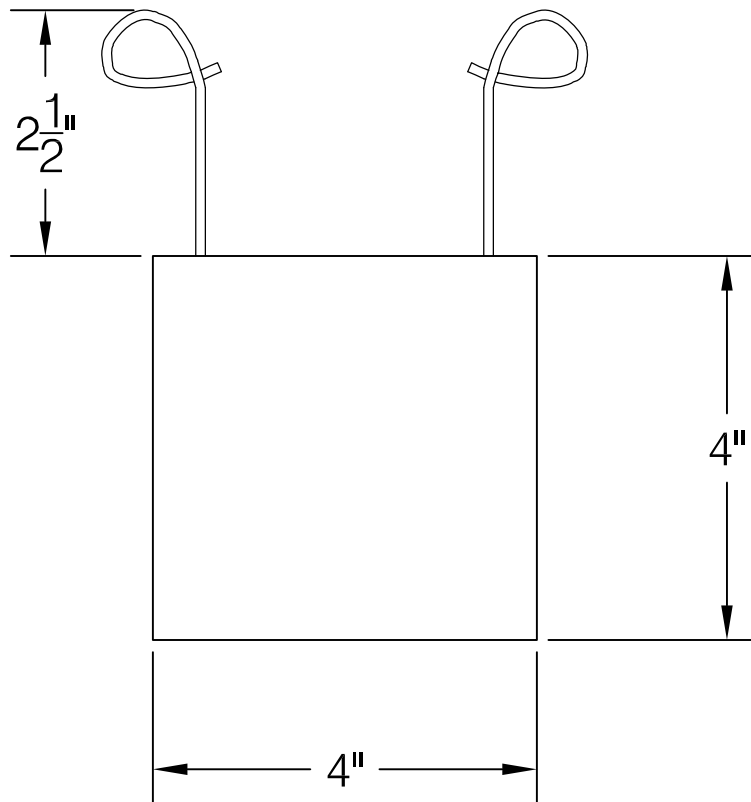
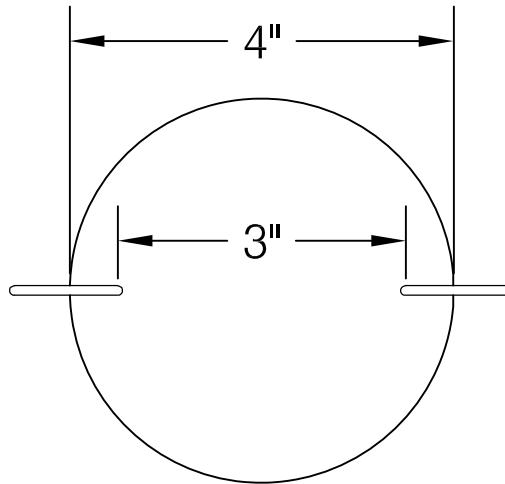


Part No. 3HPB  
**Hijacker Pier Bolster**  
provides 3 inches of concrete cover and fits rebar sizes #3 thru #18

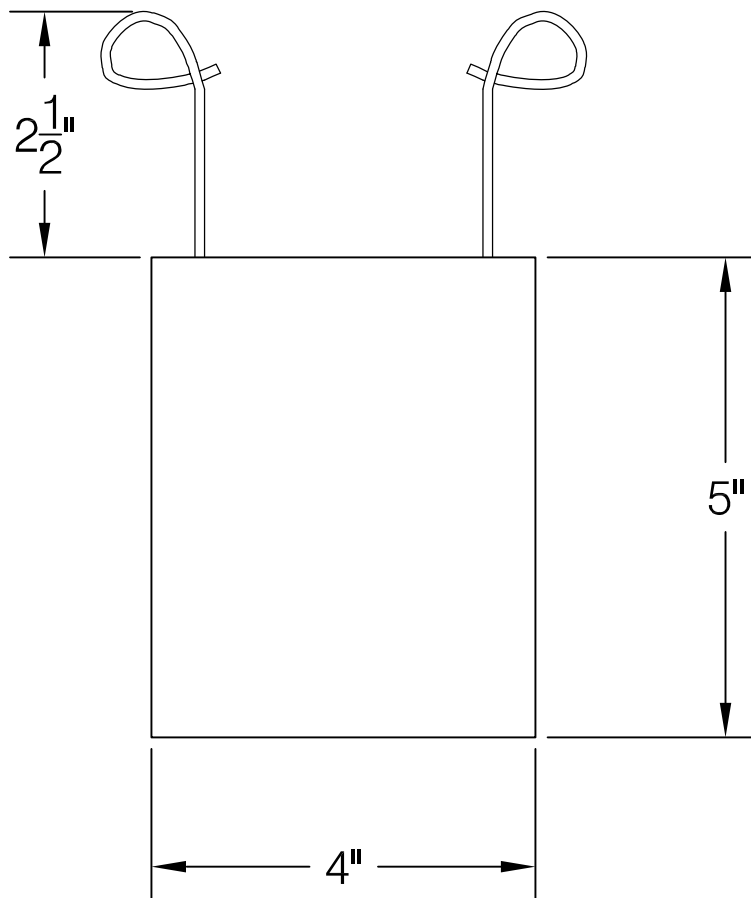
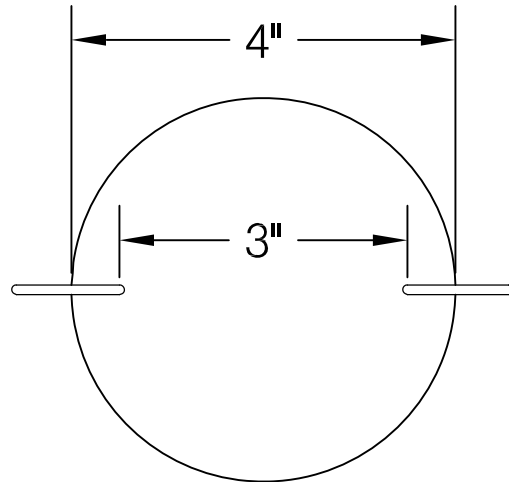


Part No. 4HPB  
Hijacker Pier Bolster

provides 4 inches of concrete cover and fits rebar sizes #3 thru #18

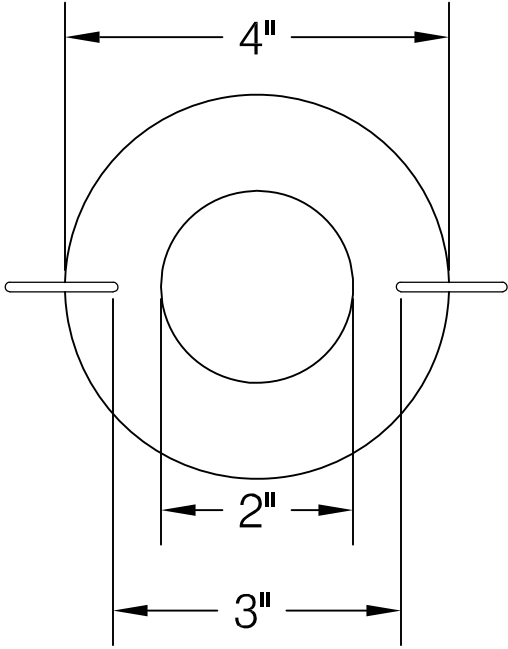
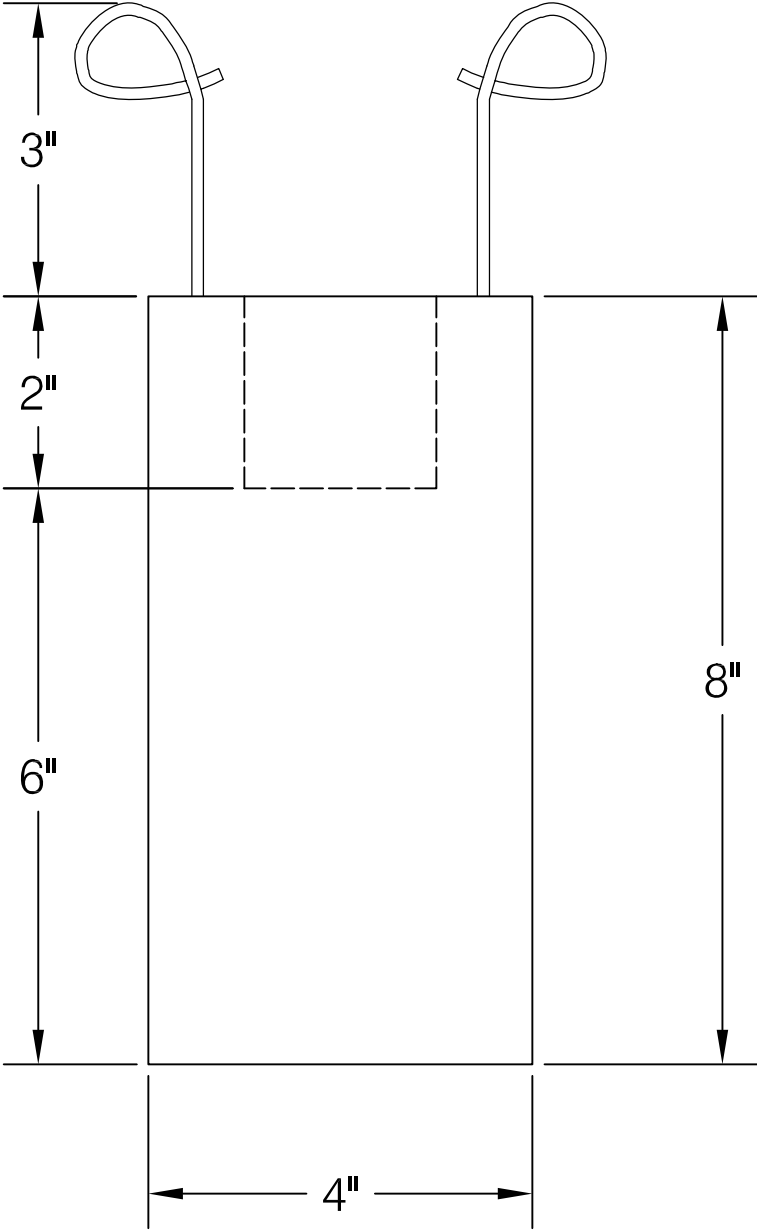


Part No. 5HPB  
Hijacker Pier Bolster  
provides 5 inches of concrete cover and fits rebar sizes #3 thru #18



Part No. 6HPB  
**Hijacker Pier Bolster**

provides 6 inches of concrete cover and fits rebar sizes #3 thru #11

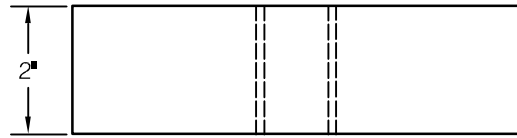
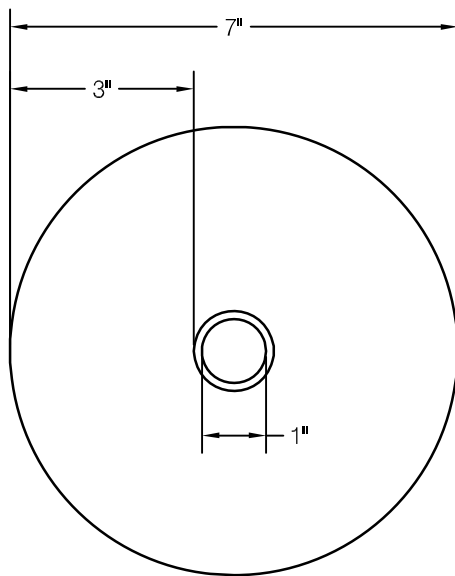




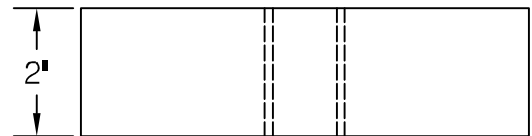
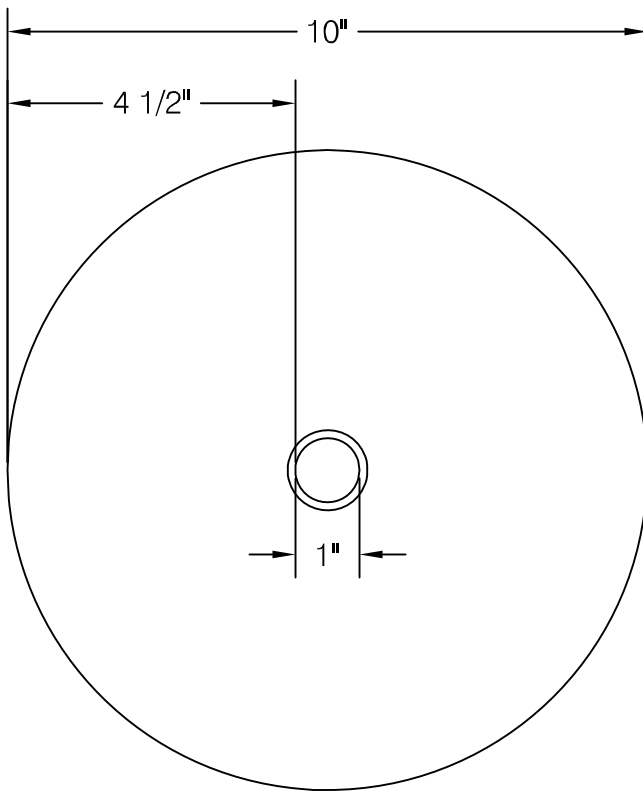
### 7" Concrete Pier Wheel

provides 3 inches of concrete cover and fits rebar sizes #3 thru #7

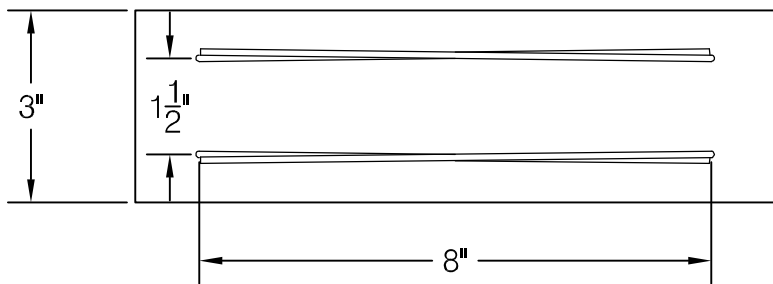
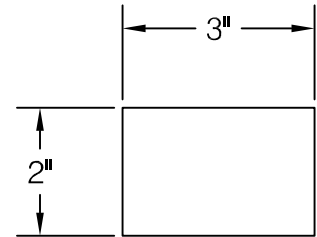
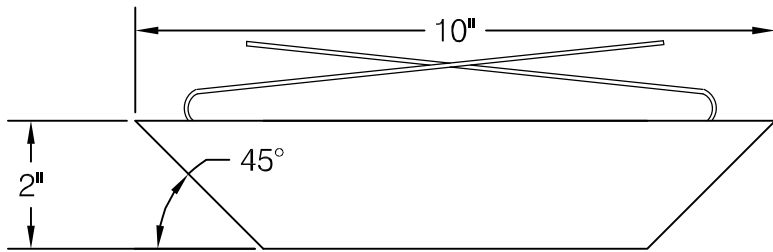
Part No. 7CW



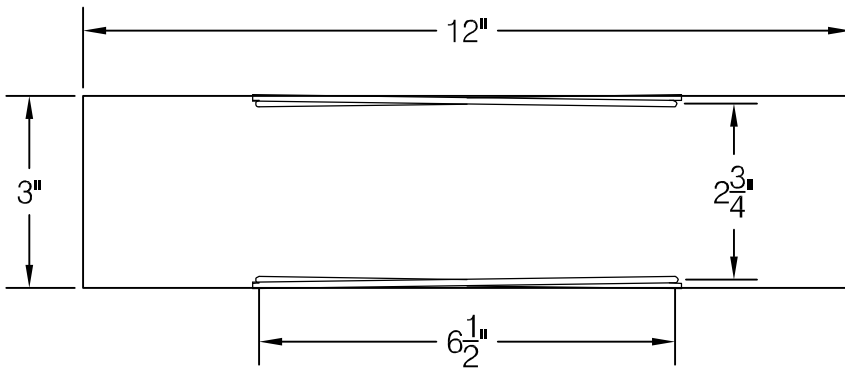
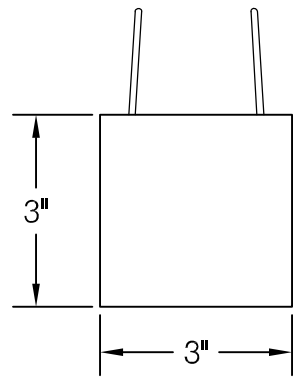
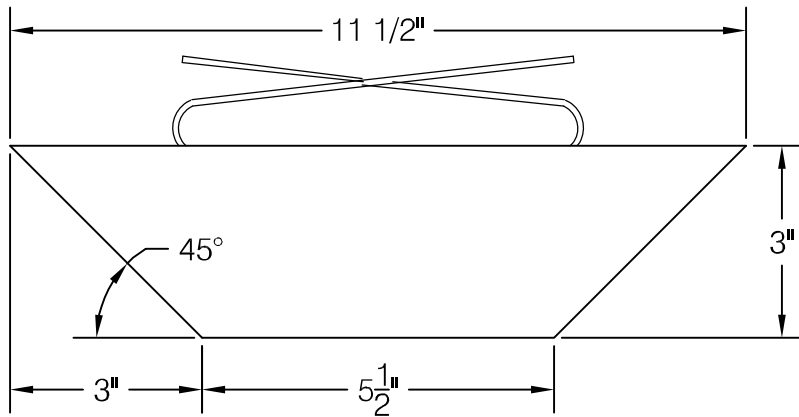
Part No. 10CW  
Concrete Pier Wheel  
provides 5 inches of concrete cover and fits rebar sizes #3 thru #7



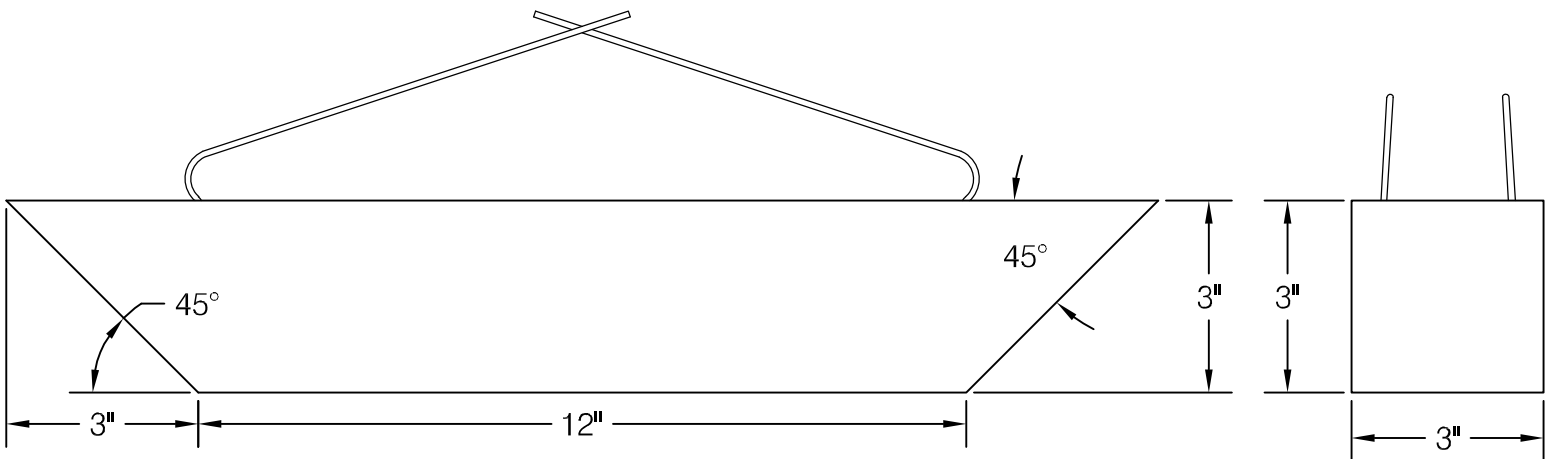
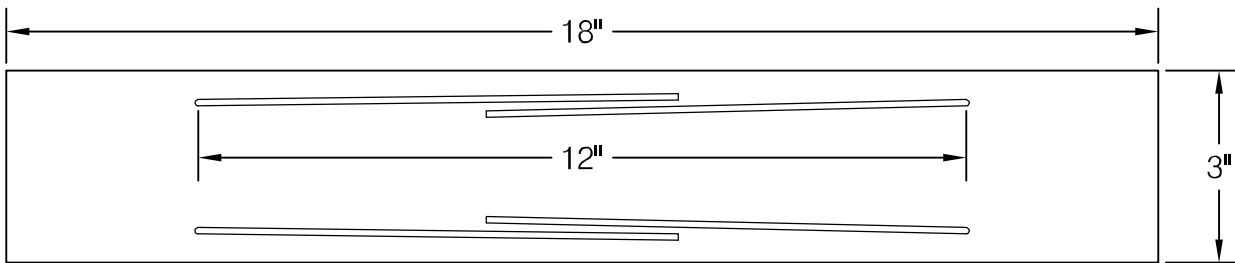
Part No. 2SWS10-3  
2"H x 3"W x 10"L Slurry Wall Sled  
provides 2 inches of concrete cover and fits rebar sizes #3 thru #18



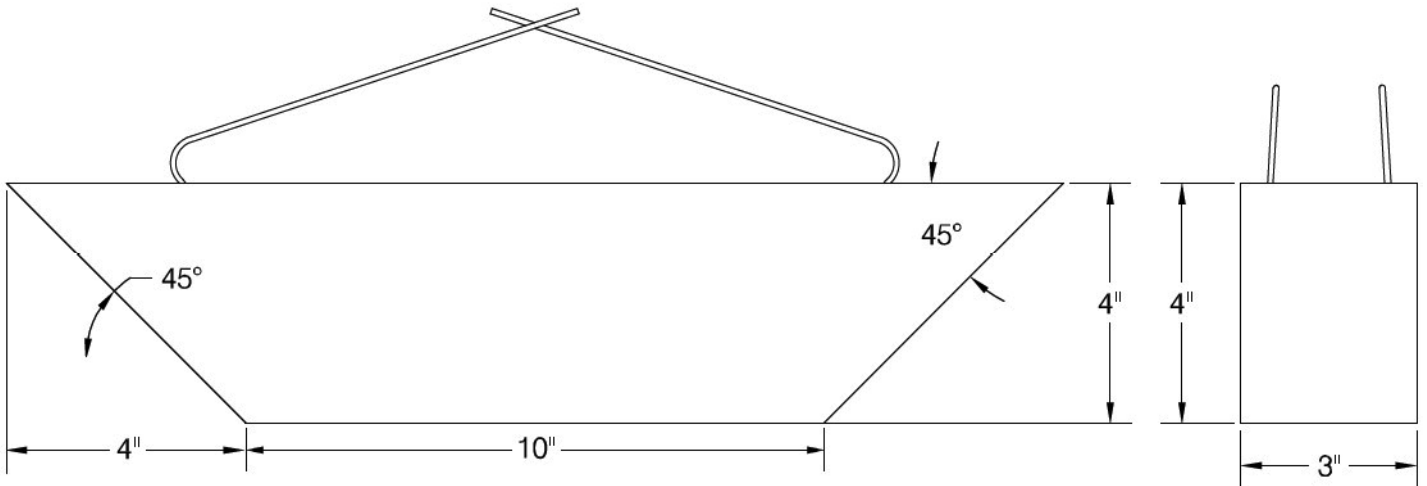
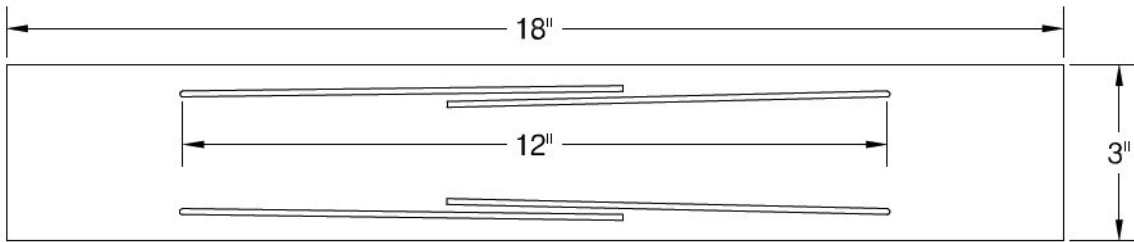
Part No. 3SWS11.5-3  
3"H x 3"W x 11.5"L Slurry Wall Sled  
provides 3 inches of concrete cover and fits rebar sizes #3 thru #18



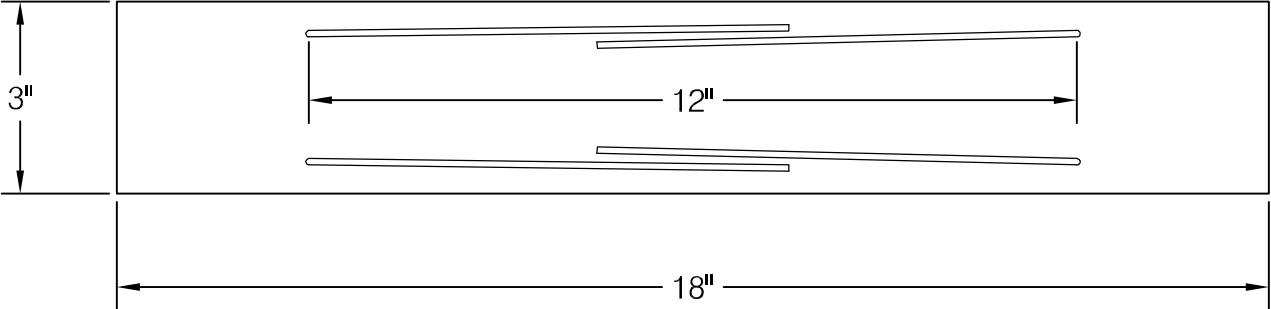
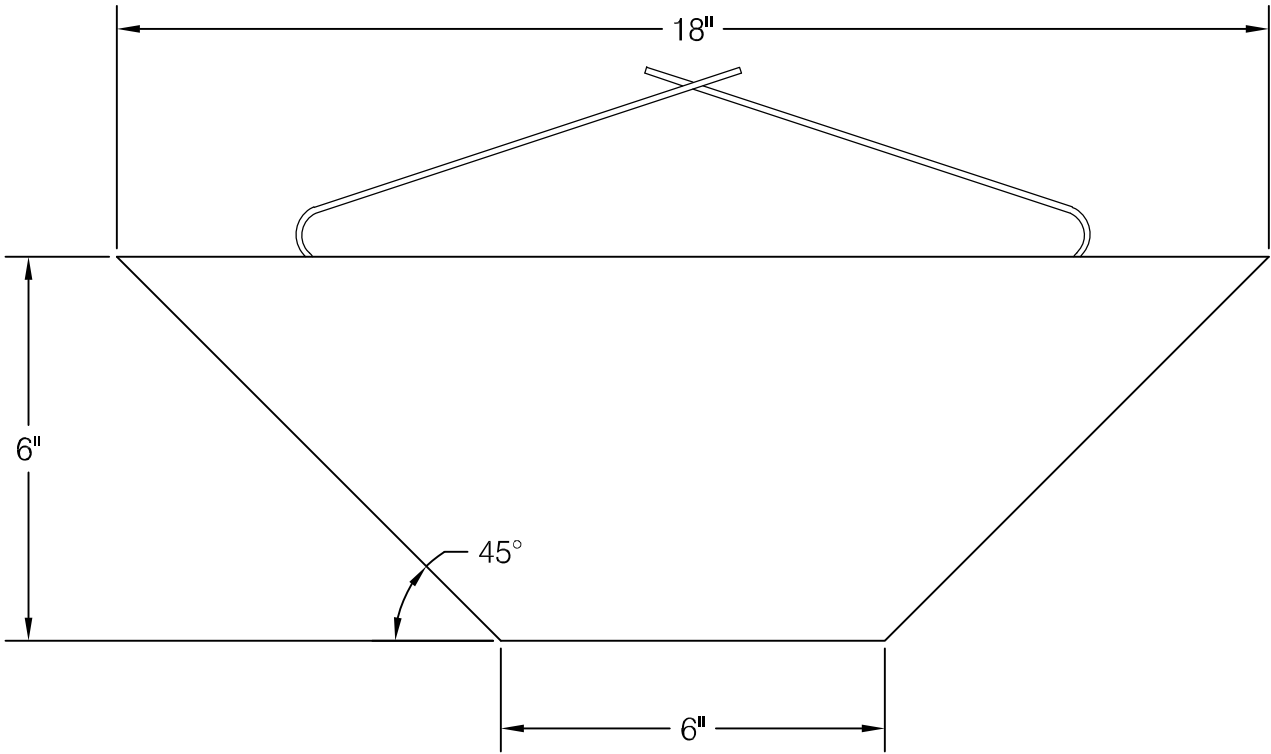
Part No. 3SWS18-3  
3"H x 3"W x 18"L Slurry Wall Sled  
provides 3 inches of concrete cover and fits rebar sizes #3 thru #18



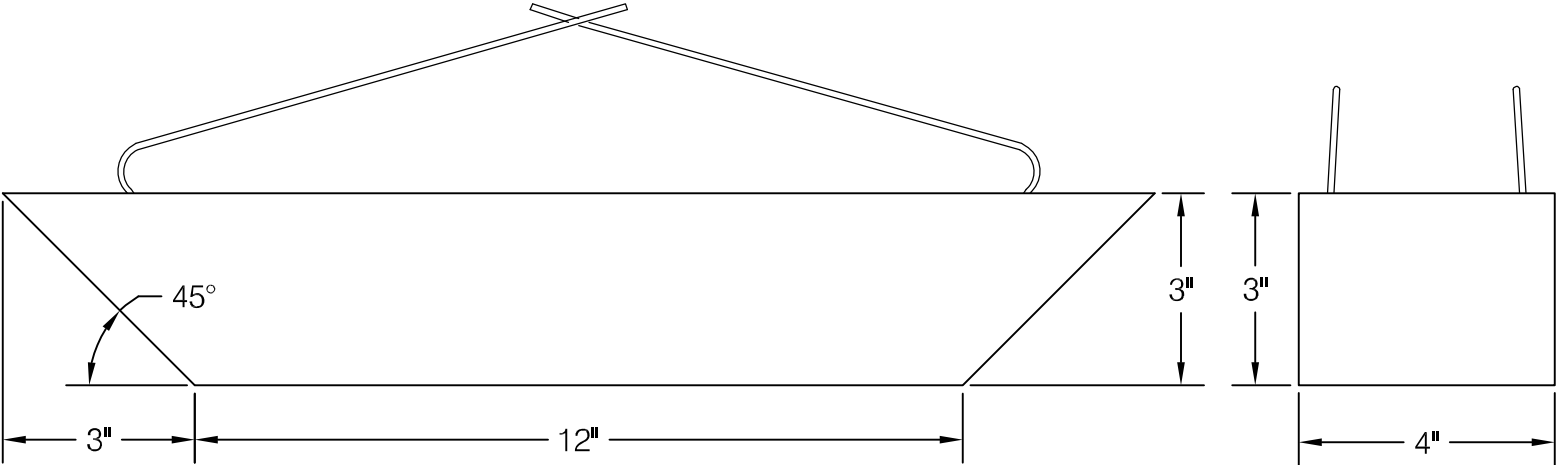
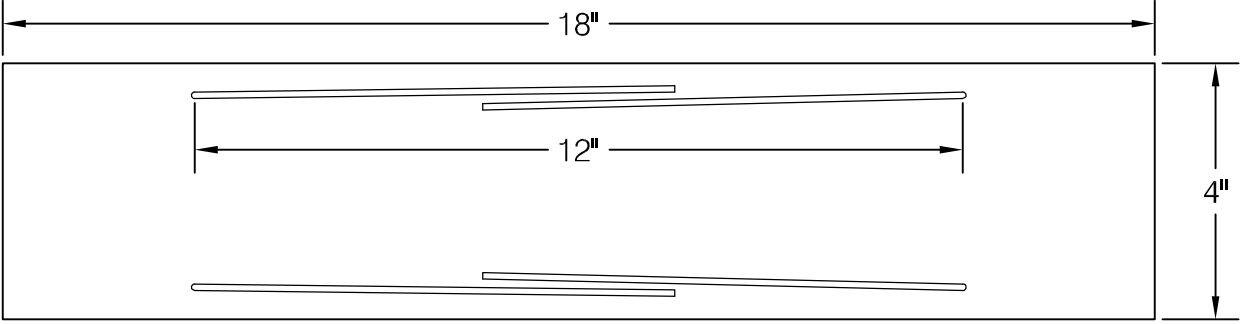
Part No. 4SWS18-3  
4"H x 3"W x 18"L Slurry Wall Sled  
provides 4 inches of concrete cover and fits rebar sizes #3 thru #18



Part No. 6SWS18-3  
6"H x 3"W x 18"L Slurry Wall Sled  
provides 6 inches of concrete cover and fits rebar sizes #3 thru #18



Part No. 3SWS18-4  
3"H x 4"W x 18"L Slurry Wall Sled  
provides 3 inches of concrete cover and fits rebar sizes #3 thru #18





Part No. 5SWS18-4  
5"H x 4"W x 18"L Slurry Wall Sled  
provides 5 inches of concrete cover and fits rebar sizes #3 thru #18

